



# Hematology

## AEROSPRAY® HEMATOLOGY PRO Slide Stainer / Cytocentrifuge

### Series 2



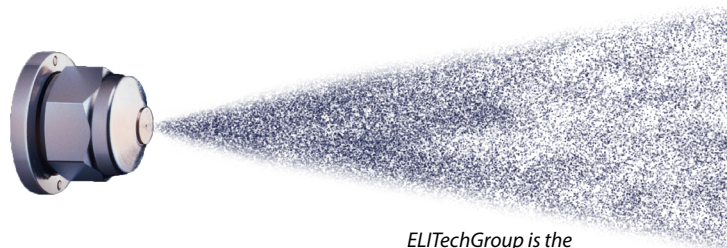
## WORLD'S BEST STAINER IN PERFORMANCE AND RELIABILITY

### ALCOHOL BASED

Automates the staining of blood and other body fluids to facilitate enhanced clarity using a rapid stain mode, a longer Wright-Giemsa mode, a May Grünwald Giemsa (MGG) mode or custom settings.

# DO MORE IN LESS TIME WITH AEROSPRAY® PRO STAINING AND CYTOCENTRIFUGE TECHNOLOGY

- Superior staining process that is easy to use and saves time
- Rapid performance cycle time, slides are dried and ready for the microscope in minutes
- Cross-contamination is eliminated with a fresh application of stain
- Automated nozzle clean after each stain cycle
- Convenient automated waste level detection (optional)
- Superb cytocentrifuge, resulting in a five-to nine-fold increase in the number of cells on a slide<sup>1</sup> (optional)
- Programmable functions to accommodate different intensities, and personal preferences
- Laboratory compliance with traceability features is ensured



*ELITechGroup is the  
inventor of Aerospray® Staining*

## BENEFITS TO YOUR LAB

- Consistent, reliable, and standardized staining across multiple labs
- Easily compare slides from different labs
- High-quality control ensuring no stain variability when moving from LOT to LOT
- Reduces labor costs and aids labs in lowering the cost per slide
- Low maintenance required – simple and time efficient cleaning cycles
- The perfect back-up stainer that can be easily supplemented in any workflow in case of machine maintenance or failure

## APPLICATIONS

- ▶ Bone Marrow
- ▶ Body Fluids
- ▶ Cerebrospinal Fluid
- ▶ Urine
- ▶ Washes
- ▶ Blood
- ▶ Sputum
- ▶ Aspirates
- ▶ Synovial



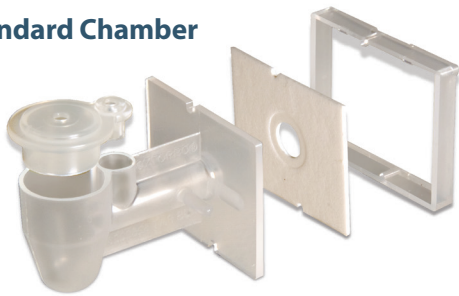
## FIVE-TO NINE-FOLD INCREASE IN THE NUMBER OF CELLS ON A SLIDE<sup>1</sup>

With the optional Cytopro<sup>®</sup> Rotor, the Aerospray Stainer becomes a superb cytocentrifuge with eight-slide capacity and programmability, at a fraction of the cost of purchasing a stand-alone cytocentrifuge.

### AVAILABLE SAMPLE CHAMBERS

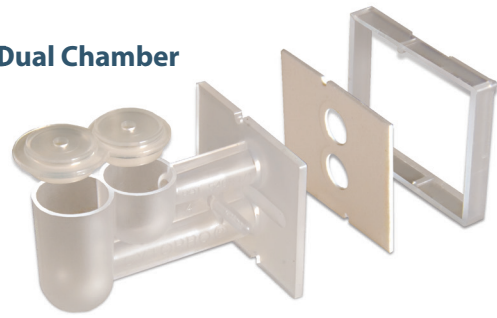
Patented flow control increases cell yield and delivers consistent results.

#### Standard Chamber



Combines ease of use with superb cell recovery.

#### Dual Chamber



Places two samples on the same slide for increased efficiency and economy.

#### Cytopro Magnum<sup>®</sup>



Accepts sample sizes up to 6 mL.

<sup>1</sup>Huppmann, A. R., Rheingold, S. R., Bailey, L. C., Helfrich, M., & Choi, J. K. (2012). Detection of Leukemic Lymphoblasts in CSF Is Instrument-Dependent. *American Journal of Clinical Pathology*, 137(5), 795-799. doi:10.1309/ajcpp4hq2fxqezil

## THE AEROSPRAY® PROCESS FOR HEMATOLOGY STAINING




### THE STAINING STEPS

**1** Smears are automatically fixed with methanol or with Aerofix® fixative (alternatively, slides can be hand-fixed using methanol).

**2** With the choice of Rapid Wright Giemsa, Wright-Giemsa, May-Grünwald Giemsa, and Custom stain, all cellular components are presented clear and precise.

**3** Thiazine and Eosin dyes join together to demonstrate all cellular components.

**4** Two pH buffers allow for customization in color. Each clears out unbound stain leaving a clean image.

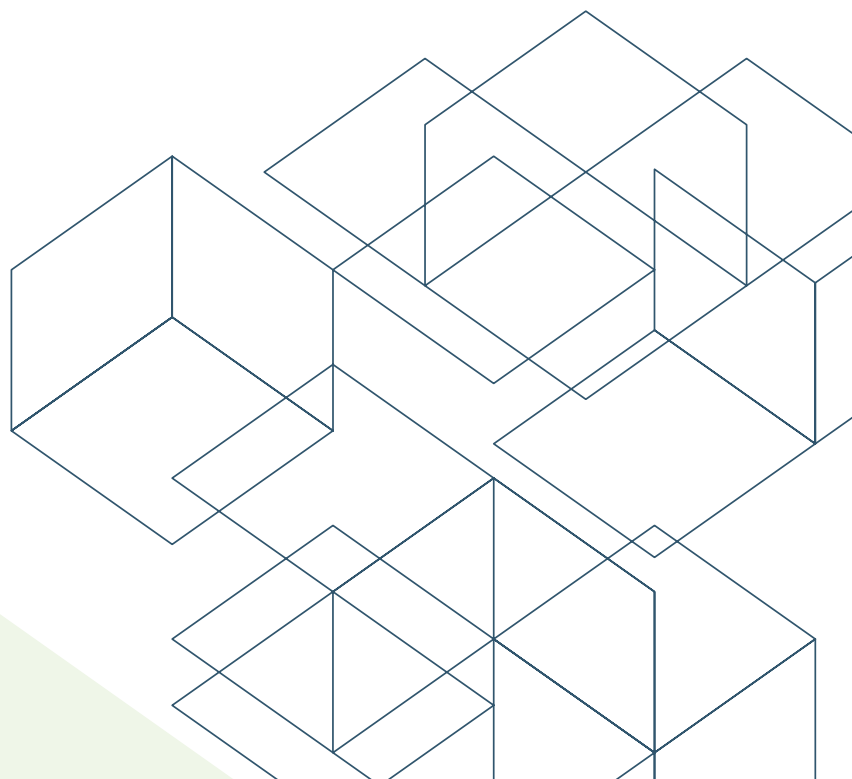
 High speed, low duration spin creates dry slides, ready for the microscope in minutes!

### DETAILS MAKE THE DIFFERENCE

Simultaneous contact by both dyes produces the classic staining patterns with superior, textbook-quality results. The thiazin and eosin dyes are loaded separately onto the instrument to correct the reagent stability problems common to mixed stains. These stains are automatically combined and mixed prior to application to produce superior results. In fact, many customers purchase the Aerospray Pro just for its superior staining of bone marrow smears.

### SUPERIOR STAINING FLEXIBILITY

Aerospray offers a versatile selection of 9 different intensities for each of the 4 set programs: Rapid Wright-Giemsa, Wright-Giemsa, May-Grünwald Giemsa, and Custom Stain with simple adjustment routines to tailor the staining to individual preferences.



# Aerospray® Hematology Pro Model 7152

Slide Carousel Capacity	1 to 12 or 1 to 30 Slides, depending on carousel (carousel choice optional)
Cytocentrifuge Rotor Speed	100-2000 rpm (± 5%), user programmable
Dimensions (W x H x D)	57 cm x 25 cm x 54 cm (22" x 10" x 21")
Clearance Height (lid open)	58 cm (23")
Weight	16.3 kg (35.9 lb)
Electrical Requirements	100 to 240 VAC (±10%) @ 50-60 Hz, 200 watts maximum
Drain Connection	Outlet on rear panel
Safety	Lid interlock: lid must be closed for operation, and is locked down during carousel rotation
Reagent Level Detect	Level detection on all reagent lines
Waste Level Detect	Level detection in waste bottle (optional)

## Stain Consumption Specifications

Reagents	Theoretical Maximum Number Of Slides Per Bottle for a Full 12 Slide Carousel Medium Intensity Setting: #5			
	Rapid Wright Giemsa	Wright Giemsa	May-Grünwald Giemsa	Custom Stain
Buffered Rinse 5L	6660	2028	2028	2028
Thiazin 500 mL	1584	1584	876	948
Eosin 500 mL	1584	1584	1500	1344
Fixative 500 mL	996	996	996	996

## Cytopro® Cytocentrifuge Rotor Model AC-160

Capacity	8 chambers and slides
Weight	1.1 kg (2.5 lb)
Dimensions (Dia. x H)	22.6 cm x 6.2 cm (8.9" x 2.4")

Catalog #	Description
MODEL 7152	Aerospray® Hematology Pro Slide Stainer/Cytocentrifuge
AC-160	Cytopro® Rotor
SS-029	Aerospray® Nozzle Cleaning Solution, 355mL
SS-029C	Aerospray® Nozzle Cleaning Solution Concentrate, 250mL
SS-048	Hematology Reagent D, Aerofix® Fixative, 500mL
SS-071A	Hematology Pro Reagent A, Buffer (pH 6.8), 1Gal
SS-071B	Hematology Pro Reagent B, Thiazin Stain, 500mL
SS-071C	Hematology Pro Reagent C, Eosin Stain, 500mL
SS-072A	Hematology Pro Reagent A, Buffer (pH 7.2), 1Gal
SS-148	Hematology Reagent D, Aerofix® Fixative Concentrate, 135mL
SS-171A	Hematology Pro Reagent A, Buffer (pH 6.8) Concentrate, 30mL
SS-171B2	Hematology Pro Reagent B, Thiazin Stain Concentrate, 200mL
SS-171C2	Hematology Pro Reagent C, Eosin Stain Concentrate, 220mL
SS-172A	Hematology Pro Reagent A, Buffer (pH 7.2) Concentrate, 30mL
SS-230	Aerospray® Stain Residue Solvent, 500mL
SS-MeOH	Aerospray® Reagent Grade Methanol, 500mL
AC-187	Barcode Scanner and Waste Level Detect Bundle
AC-188	12-Slide Carousel, Aerospray® Stainers
AC-189	30-Slide Carousel, Aerospray® Stainers

*\*Please check additions to catalog numbers made in your country*

# WORLD LEADER IN AEROSPRAY® STAINING TECHNOLOGY AND CYTOCENTRIFUGATION

# 50 YEARS

**“Proven Performance, Time After Time.”**

ELITechGroup has been in operation for nearly 50 years and distributes to over 100 countries. Proud to be the World Leader in Aerospray staining technology and Cytocentrifugation, offering the world's most reliable solutions in performance and reliability. ELITechGroup is confident that this automated technology will elevate the performance of any laboratory and facilitate superior results.

Join the thousands of laboratories utilizing the world's best staining technology and take your laboratory to a new level of efficiency and performance.



ELITechGroup has been certified by BSI to ISO 13485:2016 under certificate numbers MDSAP 689350 and FM 703046



## WORLDWIDE OFFICES

Please contact your sales representative for terms, conditions and product availability in your country.

### Headquarters

Australia  
Belgium & Luxembourg  
Brazil  
France  
Italy  
New Zealand

### +33 1 41 45 07 10

T: +61 1800 815 098  
T: +32 9 282 05 31  
T: +55 27 3025 1415  
T: +33 4 83 36 10 82  
T: +39 02 48 40 35 42  
T: +64 800 555 611

Serbia  
Switzerland  
The Netherlands  
UK  
United States

T: +381 11 2467119  
T: +41 26 663 86 60  
T: +31 313 430 500  
T: +44 1442 869320  
T: +1 435 752 6011

IVD CE

 **ELITechGroup**  
EMPOWERING IVD  
[AEROSPRAYSTAINING.com](http://AEROSPRAYSTAINING.com)  
[info@elitechgroup.com](mailto:info@elitechgroup.com)